

IT'S TIME
TO CHANGE
THE WAY
WE MINE







Creating a more productive future for Australian mining.

Manuplex is a specialist contractor focused on servicing the Australian mining sector.

We provide a wide range of products and end-to-end services, ranging from cutting-edge, customised strategy to the supply of expert personnel.

WHAT MAKES US DIFFERENT?

- Professional, transparent approach. Our core values of integrity, client satisfaction, innovation and mining acumen make us stand out from the crowd.
- Adaptability. Our experience and scope means we are able to adapt rapidly to current market forces. We react quickly and positively, staying ahead of market trends, and this translates to cost-effective, safe and timely outcomes for you.
- Focus on cost savings. We are committed to employing cost-saving initiatives and targeting inefficiencies. As a result, we achieve effective outcomes, regardless of the size of your operation.

- Quality contractors. We only partner with, and provide, the highest quality contractors and suppliers for every project.
- Commitment to problem solving. We believe that any issue on a mine site is everyone's problem, and finding a solution is paramount.

EXPERIENCE YOU CAN COUNT ON.

Previously known as Minestar Alliance, Manuplex was established in 2011.

However, our core business has been built on over 40 years' accumulated experience in underground mining, tunnelling and ventilation supply and installations.

Today, we have expanded our capabilities to include the design and manufacturing of high-quality Ventilation Control Devices VCD's, QDS equipment, and mining consumables.

A TEAM, AND A PHILOSOPHY, YOU CAN TRUST.

When you choose Manuplex, you're choosing a team of experienced and capable mining professionals. The business was founded by current Directors, Matt Jurkic and Glen Donnellan, who have both held various operational and senior management roles in the mining and services sectors.

Manuplex's leadership team is committed to developing innovative ideas and providing new technologies. We strive to continually be at the forefront of current market trends, and to react quickly to clients' needs.



SERVICES

END-TO-END SERVICES FOR THE MINING SECTOR.

To enable safer and more productive mining, we provide services in several key areas. These include:

STRATEGY

Our experienced and knowledgeable management team can work closely with you to provide cost effective strategies and solutions that are specifically relevant for your mine. We can also offer technical expertise and guidance at all stages of a project. From tendering through to application, our experienced team will provide sound strategies and solutions.

SUPPORT

Since our inception, we have gained a reputation for providing high quality secondary support. Whether we're completing secondary support contracts, assisting roof falls, rib and roof-spraying, or workings in the returns or re-supporting areas, our skilled team can provide you with complete ground support packages.

OUTBYE SERVICES

We offer significant experience and a range of innovative products catering to outbye and secondary support areas. These are often implemented with our ventilation contracts with current industry standard bolting equipment.

DEVELOPMENT

We began providing this service following two successful and critical link road development contracts. Our development experience has included link roads (Oak Creek), fault drivage, panel set-up and advance, stoneworks for overcasts, under passes, belt chambers (70-100 mpa), shot-firing and mega bolt installation.

CONVEYORS

We deliver numerous conveyor contracts covering all major techniques, installations, removals, electrical and mechanical services and trunk belt extensions.

PEOPLE

In every instance, we bring specialised teams together to meet a project's specific requirements. We utilise our operational experience and robust interview processes to ensure the right personal are selected for projects. We are constantly reviewing and innovating our training needs to the latest industry standards.

PUMPS AND EQUIPMENT HIRE

- All QDS attachments
- Underground pumps:
 - Reed pumps
 - Piccola pumps
 - Jacon pumps
 - Tekflex pumps
 - Langley Placer pumps
 - Grout pumps
 - + more
- Bolters
- Windy borers

OTHER SERVICES

- Labour hire
- Sand blasting
- Painting
- Refurbishment
- Design
- Engineering
- Certification



VENTILATION & PRODUCTS

We supply and manufacture our own products, including all aspects of design, certification, technical advice, testing and engineering.

Our goal is to become a leader in the underground mining services industry by developing innovative products that efficiently and sustainably meet our clients' needs – both now and into the future.

MANUPLEX VENTILATION CONTROL DEVICES

Only Manuplex offers both the local manufacturing and underground installation of Ventilation Control Devices (VCDs) with the focus on innovative and cost effective VCD solutions.

Combined with a comprehensive database of VCD designs, certifications and onsite experience, we can help navigate clients through any mining difficulty.

VENTILATION SUPPLY

We keep a wide range of stock items including mine plaster and grouts, overcast, man-doors, machine doors, regulators and various VCD consumables at our Yeppoon facility.

Our ability to supply from the factory to the site ensures your mine has the insurance policy it needs to stay focused on production, and the safety while we control the supply and installation of VCDs.

VENTILATION CONTROL DEVICE TYPES

- Rated and non-rated stoppings
 - Mine plaster
 - Water resistant mine plaster
 - Brattice
 - Tekflex
- 20psi Seals (1m to 5m waterheads)
 - Grout
 - Water resistant mine plaster
 - Meshblock concrete

- 50psi seals (1m to 30m waterheads)
 - Grout
 - Water resistant mine plaster
 - Meshblock concrete

- Overcasts
- Underpasses
- Single and double machine doors
- Regulators
- Coffin seals
- Flexi stoppings

All VCDs can be custom made and certified to suit conditions and needs.

STRATA CONTROL PRODUCTS

Manuplex has direct access to a board range of strata control products. We currently provide applications that include expanding cavity fill for longwall recovery and emergency roadway fills, as well as polyurethane and urea silicate injection chemicals for strata consolidation and goaf seal water control. In addition, we supply a range of grout products.

PRODUCTS

- Mining plasters
- Mining grouts
- Silent Seal
- Tekflex
- Concrete
- Tech mesh
- Mesh blocks
- Spacer bars
- Netting crimps
- Netting pliers
- Poly sample cubes
- Pressure gauges
- Injection chemicals
- Props
- Pumpable cribs



SUSTAINABLE CONTRACT MODELS

Creating a more efficient way to work.

Manuplex can help your business uncover significant cost reductions by offering fixed price VCD, strata control and secondary support works as a bundled offering.

FIXED PRICE VCDs – This option allows you to monitor your VCD costs more effectively, as we manage the risk of your stock and install times. With this option, you won't receive an invoice until your VCD installations are complete.

SECONDARY SUPPORT – This option allows for labour to flow between Ventilation, Secondary Support and Strata Control. All Manuplex employees are trained in ventilation, secondary support, cavity fill and injection chemical applications.

STRATA CONTROL – When you have our experienced personnel onsite, it eradicates the need for you to have emergency response crews. This saves on unnecessary stand by rates and additional costs that you would otherwise incur.

WHY CHOOSE A FIXED PRICE MODEL?

- Cost control. You know how much each VCD will cost upfront.
- Ease of management. Manuplex manages the install times and product consumption on all VCDs.
- Risk mitigation. We carry the risk if VCDs are not installed to time and if the product is not managed.
- Transparency. We ensure full transparency between client and supplier via shift reports.
- Client service. All VCDs are audited and signed off by you, and by us, before invoicing. We work directly with your Site Ventilation Officer and Mine Manager to assist and ensure all priority tasks are completed to schedule and mine regulations.

SAFETY

At Manuplex, we are dedicated to creating safe and efficient workplace environments.

Manuplex Pty Ltd is DAS certified in both quality management systems and occupational health and safety.

We have:

- Fifth year operation – zero LTI
- Accredited Safety & Health Management Systems including task specific SWPs. BS OSAS 18001:2007
- Accredited Quality Management Systems ISO 9001:2008
- Pre shift communications and tool box talk systems
- Compliance with site risk management systems
- Supervisor and project manager auditing
- Trainers and assessors on staff
- Internal risk assessment capabilities.





MANUFACTURING

We have a first class fabrication facility located at Yeppoon in Queensland. Here, we specialise in all areas of product engineering, from initial design through to manufacturing.

We design, manufacture and test a wide range of products – ranging from Ventilation Control Devices, to QDS equipment and general mining consumables. We are well regarded for our state-of-the-art designs, innovative approach, and reliable, timely delivery.

We currently manufacture and refurbish the following items and more at our Yeppoon workshop facility.

VENTILATION DEVICES

- Overcast
- Underpass
- Machine doors
- Man doors
- VCD consumables
- Regulators
- Coffin Seals
- Hatches

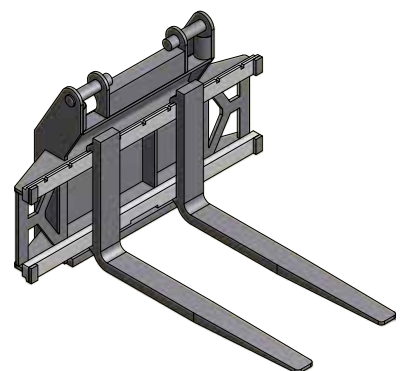
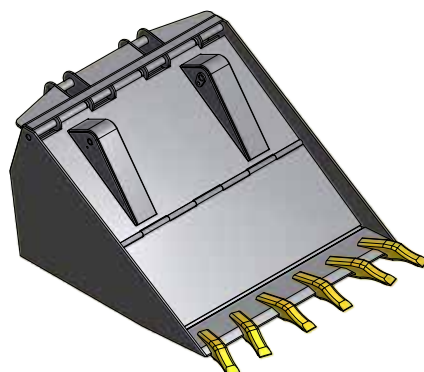
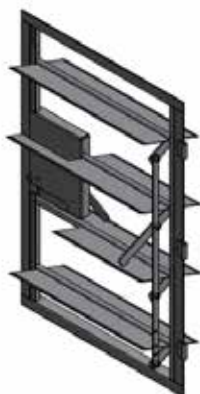
All fabricated VCDs to suit any roadway size or condition.

QDS

- Man baskets
- Pipe trailers
- Service and fitter pods
- Bolt pods
- Ducksbills
- Underground trailers
- Miner carriers and cassettes
- Kibbles
- Buckets
- Forks
- Cable and hose reelers
- Crib room
- Lifting pod
- Mesh pod
- Storage locker
- Structure pod

CONSUMABLES

- Stopping poles
- Depth gauges
- U-tubes
- Gas sample pipes
- Service pipes



For further enquiries

7-13 Jabiru Drive Yeppoon Q 4703

PO BOX 718 Yeppoon Q 4703

P: 07 4939 3412

Get in touch at:

www.manuplex.com.au

